



CENTURY SERIES CATALOG RATINGS

SERIES 60

	INPUT RPM	RATIO	OUTPUT RPM	MECH. INPUT HP	CONVENTIONAL OIL			PAO SYNTHETIC OIL				PAG SYNTHETIC OIL				
					EFF. %	MECH. OUTPUT TORQUE	THERMAL INPUT HP	THERMAL OUTPUT TORQUE	EFF. %	MECH. OUTPUT TORQUE	THERMAL INPUT HP	THERMAL OUTPUT TORQUE	EFF. %	MECH. OUTPUT TORQUE	THERMAL INPUT HP	THERMAL OUTPUT TORQUE
SERIES 60 RATINGS***	1750	10	175.0	34.0	88.2	10803	19.0	6043	91.5	11209	21.1	6950	94.8	11616	25.8	8797
		20	87.5	19.7	84.8	12026	11.1	6801	88.0	12479	12.3	7821	91.2	12932	15.2	10001
		30	58.3	13.0	80.8	11369	7.52	6564	83.9	11797	8.33	7549	86.9	12225	10.2	9603
		40	43.8	10.7	78.2	12044	6.20	6981	81.2	12497	6.87	8028	84.1	12951	8.43	10209
		50	35.0	8.68	75.8	11849	5.32	7254	78.6	12295	5.89	8342	81.5	12741	7.24	10628
		60	29.2	6.99	73.6	11111	4.70	7468	76.3	11529	5.21	8588	79.1	11947	6.41	10957
	1150	10	115.0	28.7	87.2	13729	16.0	7668	90.5	14246	17.8	8818	93.8	14762	21.6	11109
		20	57.5	16.8	83.2	15285	9.39	8564	86.4	15860	10.4	9849	89.5	16435	12.8	12518
		30	38.3	11.2	78.6	14449	6.39	8257	81.5	14992	7.08	9496	84.5	15536	8.64	12009
		40	28.8	9.24	75.6	15307	5.29	8776	78.5	15883	5.87	10092	81.3	16459	7.16	12769
		50	23.0	7.55	72.8	15060	4.58	9143	75.6	15627	5.08	10514	78.3	16193	6.17	13247
		60	19.2	5.93	70.3	13709	4.05	9360	73.0	14225	4.49	10764	75.6	14741	5.49	13650
	100	10	10.0	5.78	79.1	28818	5.78	28818	82.0	29902	5.78	29902	85.0	30987	5.78	30987
		20	5.0	3.36	71.0	30076	3.36	30076	73.6	31208	3.36	31208	76.3	32340	3.36	32340
		30	3.3	2.60	62.4	30729	2.60	30729	64.8	31885	2.60	31885	67.1	33042	2.60	33042
		40	2.5	2.10	58.0	30760	2.10	30760	60.2	31917	2.10	31917	62.4	33075	2.10	33075
		50	2.0	1.36	54.2	23212	1.36	23212	56.3	24086	1.36	24086	58.3	24960	1.36	24960
		60	1.7	.963	50.9	18518	.963	18518	52.8	19215	.963	19215	54.7	19912	.963	19912

ADDITIONAL RATINGS FOR OTHER INPUT SPEEDS ARE AVAILABLE AT WWW.HUBCITYINC.COM

***OVERHUNG LOAD - LOW SPEED SHAFT – MODEL 601 4,000 LBS. AT CENTER POINT OF SHAFT EXTENSION. MODELS 602 AND 603 NOT APPLICABLE.

MODEL 607 – OHL‡ 5,200 LBS., TO‡ THRUST OUT 5,900 LBS. AND TI‡ THRUST IN 3,400 LBS. MODEL 609V 3,800 LBS. AT CENTER POINT OF SHAFT EXTENSION. THRUST‡ UP OR DOWN 3,400 LBS.

‡OHL AND THRUST VALUES SHOWN ARE INDEPENDENT FUNCTIONS AND CANNOT BE APPLIED SIMULTANEOUSLY. REFER APPLICATIONS WITH COMBINED OHL AND THRUST TO HUB CITY CUSTOMER SERVICE DEPARTMENT.

+ THERMAL RATINGS MAY BE INCREASED BY USING A THERMAL BLOCK KIT (PAGE B-94). CONSULT FACTORY FOR RATINGS.

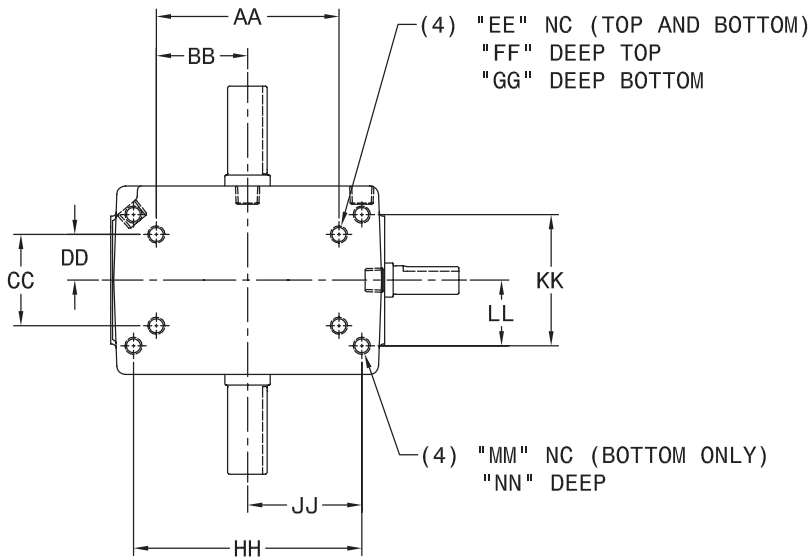
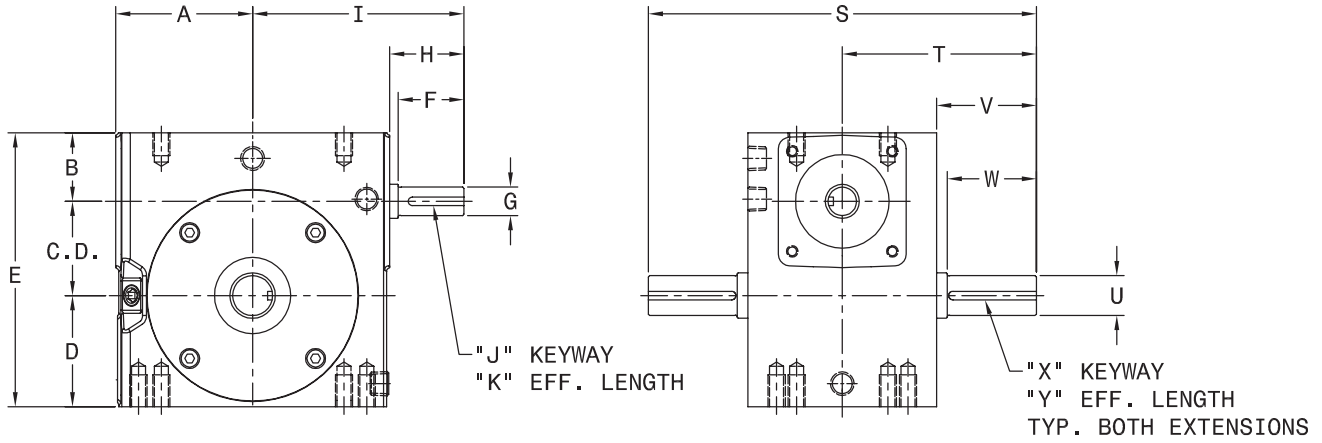
B

SINGLE REDUCTION



MODELS

131, 181, 211, 241, 261, 321, 381, 451, 521, 601(F), GW701, GW801, GW1001

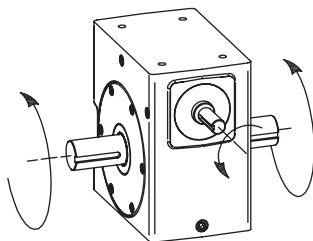


REFER TO FAN DETAILS ON NEXT PAGE FOR GW MODELS.

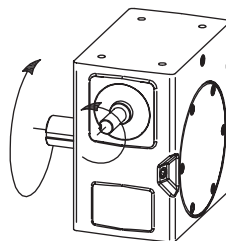
FOR LUBRICATION AND INSTALLATION INSTRUCTIONS - REFER TO SECTION R

STANDARD STYLES AVAILABLE

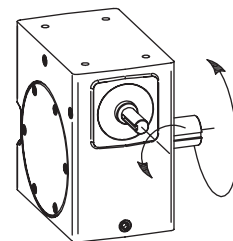
DIMENSIONS SHOWN ARE FOR REFERENCE ONLY.
DOWNLOAD AVAILABLE CAD MODELS AT:
WWW.HUBCITYINC.COM



STYLE "A"



STYLE "B"



STYLE "C"

CONSULT FACTORY FOR VERTICAL SHAFT LUBRICATION RECOMMENDATIONS
INPUT SHAFT CAN BE ROTATED IN EITHER DIRECTION



MODELS

131, 181, 211, 241, 261, 321, 381, 451, 521, 601(F), GW701, GW801, GW1001

B

SINGLE REDUCTION

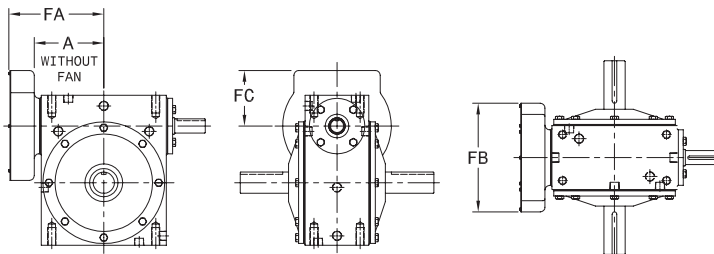
MODEL	C.D.	A	B	D	E	F	G	H	I	J	K
131	1.334	2.28	1.186	1.562	4.082	1.35	.500/.499	1.54	3.82	1/8 X 1/16	1.16
181	1.751	2.65	1.374	1.875	5.000	1.35	.500/.499	1.54	4.19	1/8 X 1/16	1.16
211	2.064	3.00	1.500	2.437	6.000	1.44	.625/.624	1.63	4.63	3/16 X 3/32	1.13
241	2.376	3.38	2.062	2.500	6.938	1.43	.625/.624	1.63	5.00	3/16 X 3/32	1.21
261	2.626	3.66	1.874	2.938	7.438	1.73	.625/.624	1.97	5.63	3/16 X 3/32	1.49
321	3.251	4.40	2.124	3.250	8.625	2.23	.875/.874	2.48	6.88	3/16 X 3/32	1.91
381	3.751	4.90	2.374	3.937	10.062	2.20	1.000/.999	2.48	7.38	1/4 X 1/8	1.91
451	4.501	5.23	2.499	4.625	11.625	2.98	1.125/1.124	3.21	8.44	1/4 X 1/8	2.50
521	5.168	5.98	2.624	5.375	13.167	N/A	1.250/1.249	3.27	9.25	1/4 X 1/8	2.63
601 & 601F	6.000	SEE BELOW	3.250	6.625	15.875	3.25	1.500/1.499	3.46	10.75	3/8 X 3/16	2.81
GW701	7.000	N/A	4.32	7.59	18.91	N/A	1.625	2.97	11.50	3/8 X 3/16	2.87
GW801	8.000	N/A	4.10	8.86	20.96	N/A	1.875	2.84	12.50	1/2 X 1/4	2.81
GW1001	10.000	N/A	5.11	10.36	25.47	N/A	2.250	3.76	15.50	1/2 X 1/4	3.69

MODEL	S	T	U	V	W	X	Y	AA	BB	CC	DD
131	6.50	3.25	.625/.624	1.69	N/A	3/16 X 3/32	1.38	2.250	1.125	1.625	0.812
181	7.00	3.50	.750/.749	1.78	1.54	3/16 X 3/32	1.41	3.125	1.562	1.625	0.812
211	8.50	4.25	.875/.874	2.19	1.95	3/16 X 3/32	1.83	4.000	2.000	2.000	1.000
241	9.00	4.50	1.125/1.124	2.31	2.06	1/4 X 1/8	1.74	5.000	2.500	2.875	1.438
261	9.00	4.50	1.250/1.249	2.25	N/A	1/4 X 1/8	1.85	4.875	2.437	2.688	1.344
321	10.88	5.44	1.375/1.374	2.84	N/A	5/16 X 5/32	2.31	6.250	3.125	2.750	1.375
381	13.38	6.69	1.500/1.499	3.88	N/A	3/8 X 3/16	3.16	6.875	3.438	3.000	1.500
451*	14.50	7.25	1.625/1.624	4.18	3.9	3/8 X 3/16	3.28	8.125	4.063	3.250	1.625
521**	15.62	7.81	1.750/1.749	4.47	4.17	3/8 X 3/16	3.50	9.500	4.750	3.750	1.875
601 & 601F	20.50	10.25	2.250/2.249	5.12	N/A	1/2 X 1/4	4.25	11.00	5.500	4.875	2.438
GW701	23.52	11.76	2.750	5.65	N/A	5/8 X 5/16	4.00	12.50	6.250	5.500	2.750
GW801	25.00	12.25	3.000	5.98	5.26	3/4 X 3/8	4.50	14.25	7.125	6.500	3.250
GW1001	29.50	14.75	3.750	6.76	N/A	7/8 X 7/16	5.00	17.75	8.875	6.875	3.438

* ALSO AVAILABLE WITH 1.750/1.749 (M) DIAMETER OUTPUT SHAFT. CONSULT FACTORY.
 ** ALSO AVAILABLE WITH 2.000/1.999 (M) DIAMETER OUTPUT SHAFT. CONSULT FACTORY.

MODEL	EE	FF	GG	HH	JJ	KK	LL	MM	NN	Wt. Lbs.
131	1/4 UNC	0.50	0.50	3.250	1.625	2.000	1.000	5/16 NC	0.75	10
181	1/4 UNC	0.50	0.50	4.188	2.094	2.750	1.375	5/16 NC	0.75	15
211	3/8 UNC	0.50	0.70	5.000	2.500	2.875	1.438	3/8 NC	0.70	23
241	3/8 UNC	0.70	0.70	N/A	M/A	N/A	N/A	N/A	N/A	31
261	3/8 UNC	0.70	0.70	6.375	3.188	3.375	1.688	3/8 NC	0.70	37
321	1/2 UNC	0.75	0.90	7.500	3.750	4.000	2.000	7/16 NC	0.88	60
381	1/2 UNC	0.94	1.00	8.500	4.250	4.750	2.375	1/2 NC	1.00	85
451	5/8 UNC	0.88	1.13	N/A	M/A	N/A	N/A	N/A	N/A	102
521	5/8 UNC	1.00	1.25	N/A	M/A	N/A	N/A	N/A	N/A	128
601 & 601F	7/8 UNC	1.88	1.88	N/A	M/A	N/A	N/A	N/A	N/A	288
GW701	1 UNC	1.56	1.56	N/A	M/A	N/A	N/A	N/A	N/A	399
GW801	1 UNC	1.66	1.66	N/A	M/A	N/A	N/A	N/A	N/A	582
GW1001	1-1/4 UNC	2.04	2.04	N/A	M/A	N/A	N/A	N/A	N/A	905

ADDITIONAL DETAIL FOR MODELS 601 THROUGH GW1001



MODEL	A	FA	FB	FC
601	7.29	N/A	N/A	N/A
601F	N/A	10.06	11.50	5.88
GW701	N/A	11.37	9.65	4.83
GW801	N/A	12.52	9.65	4.83
GW1001	N/A	14.69	11.28	5.62

NOTE: "F" IN MODEL NUMBER 601F INDICATES "FAN"
 ALL GW MODELS ARE FAN COOLED.